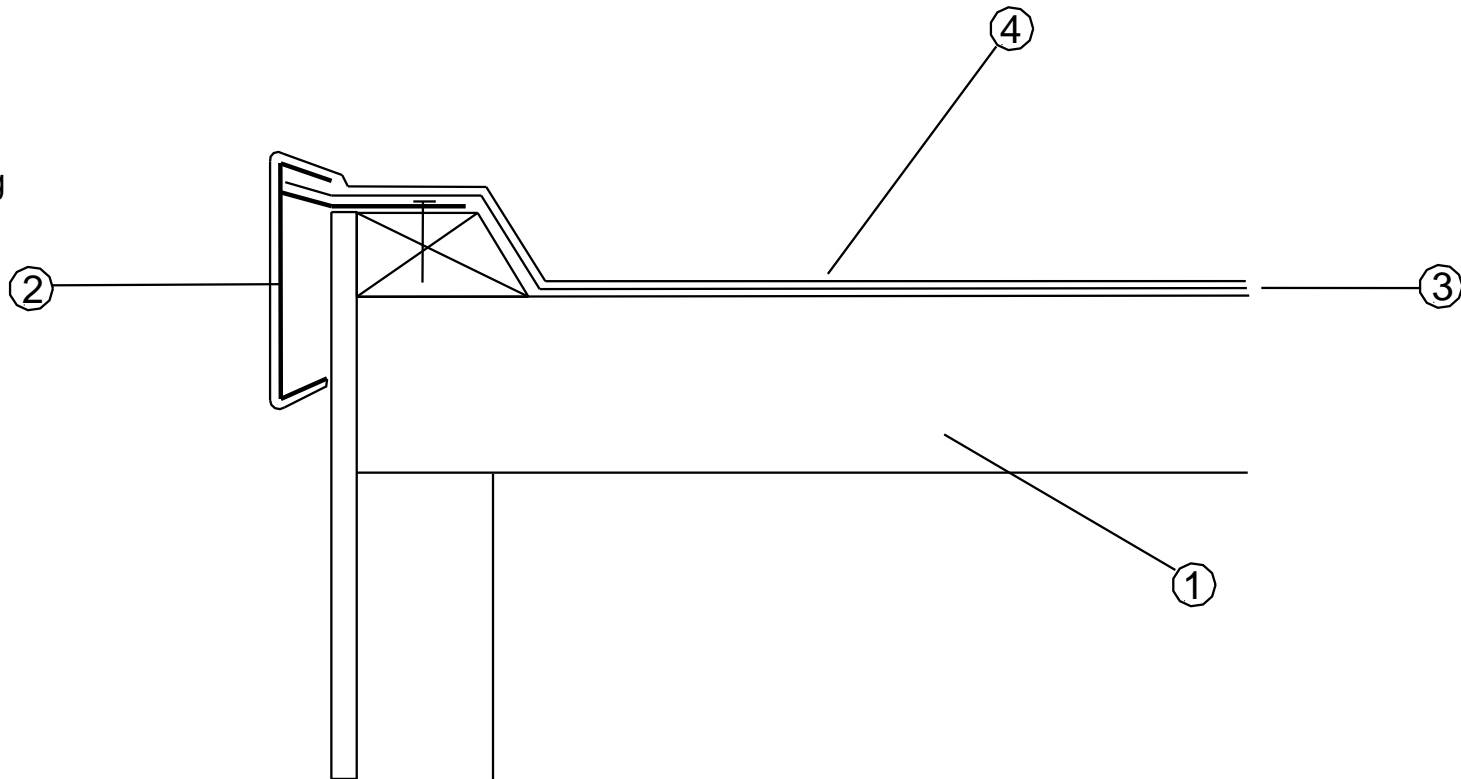


1. Existing Substrate
2. Aluminium trim
3. Existing waterproofing
4. Elastex system



NB: Aluminium trims are to be prepared in accordance with the Polyroof Coatings Manual.

NB: To the aluminium trim joints apply 25mm disbondment tape then apply Elastex Embedment Coat and 100mm Elastex Taping Mat to provide local reinforcement prior to the application of the main Protec system.



Polyroof Products Limited  
 Furness House  
 Castle Park Industrial Estate  
 Flint  
 Flintshire  
 CH6 5XA

Tel : 01352 735 135  
 Fax : 01352 735 182  
 email : technical@polyroof.co.uk  
 web : www.polyroof.co.uk

Reference  
**Fig 4.28**

Title  
**Aluminium Trim Detail**

Scale  
**N.T.S.**

Drawn By  
**C.L.**

Date  
**22/06/2012**

**Elastex System**