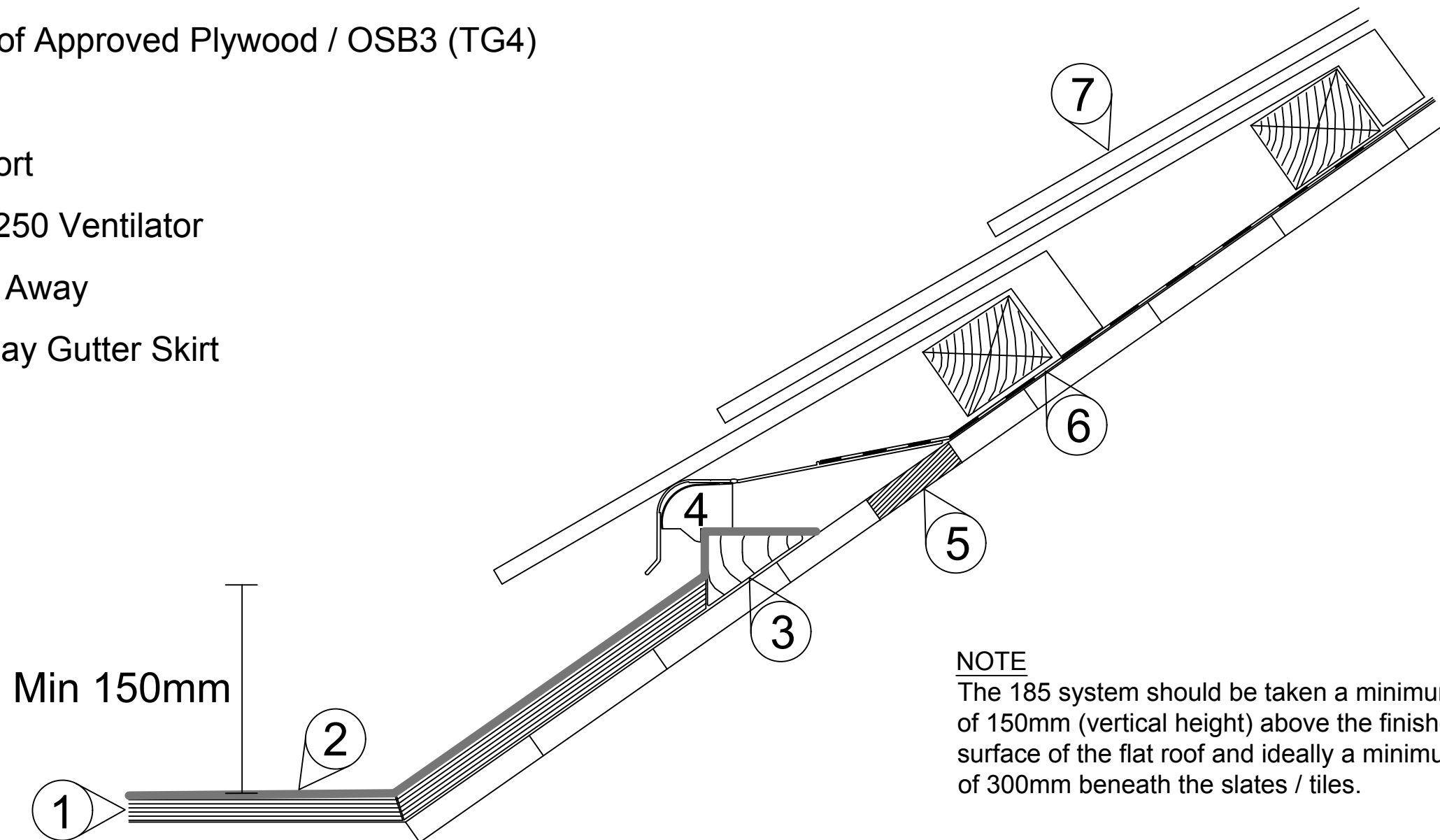


1. 18mm Polyroof Approved Plywood / OSB3 (TG4)
2. 185 System
3. Timber Support
4. Glidevale FV250 Ventilator
5. Boarding Cut Away
6. Eaves Underlay Gutter Skirt
7. Slates / Tiles



NOTE

The 185 system should be taken a minimum of 150mm (vertical height) above the finished surface of the flat roof and ideally a minimum of 300mm beneath the slates / tiles.

For further guidance please contact Polyroof Technical Services.



Title: Pitched Roof Abutment

System: 185

Ref: 2.30

Scale: NTS
(Do Not Scale From Drawing)

Drawn: OM

Date: 03/02/17