

SIMULATED METAL FINISHES

LEAD ■ COPPER ■ ZINC



ADVANCED LIQUID ROOFING SYSTEMS

SIMULATED METAL



CASE STUDIES & PRODUCT INFORMATION

SIMULATED METAL FINISHES

COLD, LIQUID-APPLIED ROOFING SOLUTIONS

Polyroof manufacture a range of liquid-applied waterproofing systems that provide a long-term, cost-effective and vandal resistant alternative to traditional metal roofing. The flexible and durable systems form a completely seamless membrane, eliminating the weak points associated with lap joints of metal sheets. All Polyroof systems carry BBA approval and are available with insurance-backed guarantees for up to 20 years.



SIMULATED LEAD FOR A NEW HOUSING DEVELOPMENT



The aesthetics of this development were given the upmost importance after local planning constraints did not permit the use of traditional slate. After considering more expensive and vandal prone alternatives such as lead sheets, the client specified the BBA approved Polyroof 185 System with lead roll finish, which carries a 20 year insurance backed guarantee.



SIMULATED COPPER FOR A HISTORIC BANDSTAND

Polyroof 185 was used on this award winning renovation of a derelict Victorian bandstand in Wrexham, North Wales. The patina of weathered copper is achieved by using pale green pigment in the resin. Since the roof has no scrap value it is no longer a target for vandalism and will last for many decades to come.



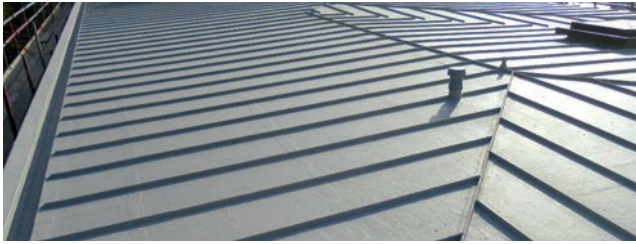
For further information and access to CAD details please visit www.polyroof.co.uk

For specification advice or for any other queries please contact the Polyroof Technical Helpline on **0800 801 890**

COST-EFFECTIVE ■ HIGHLY VANDAL RESISTANT ■ NO SCRAP VALUE

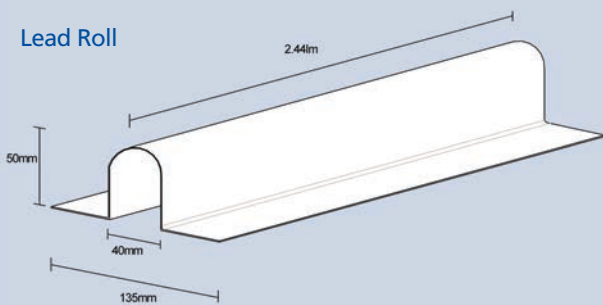
SIMULATED ZINC FOR A SUSTAINABLE ROOFING PROJECT

The BBA-approved Protec system was used to recreate the look of zinc on this new-build development in Surrey which also incorporated Photovoltaic (PV) cells to help reduce the carbon footprint of the building. The first stage was to install insulation and a plywood deck to which Polyroof GRP Standing Seam trims were fixed. The Protec system was then applied to the whole roof area, encapsulating the standing seam trims and the PV stanchions, to provide a fully seamless and flexible waterproofing membrane that faithfully reproduced the look of zinc at a fraction of the cost.

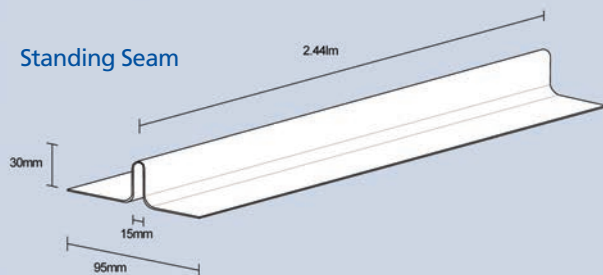


POLYROOF LEAD ROLL & STANDING SEAM GRP TRIMS

Lead Roll



Standing Seam



POLYROOF 185



- For simulated metal finishes
- Suitable for new builds or refurbishment
- Extremely tough and hard-wearing
- Glossy finish
- 20 year insurance-backed guarantee
- BBA approved

Polyroof 185 lead roll finish is widely used to reproduce the look of traditional lead but at lower cost and without the risk of theft. Typical applications include flat roofs, inclined roofs, dormers, porches, canopies and cladding. The system forms an extremely hard wearing and durable membrane and carries BBA approval and a 20 year insurance backed guarantee.

PROTEC



- For simulated metal finishes
- Suitable for new builds or refurbishment
- Cost-effective system
- Durable and flexible
- Matt finish
- 20 year insurance-backed guarantee
- BBA and FM approved

Protec provides a flexible and durable waterproofing membrane with a flat mat finish, making it the system of choice for many simulated metal applications. Protec is available with a 20 year insurance-backed guarantee and carries BBA and FM approval.

ELASTEX



- For direct coating of aged metal roofs
- Highly flexible and long-lasting waterproofing
- Matt finish
- Guarantees from 10 to 25 years
- BBA approved

Elastex is a highly flexible polyurethane overlay system ideal for over-coating aged metal roofs. It seals in laps and seams to make the roof completely watertight and eliminates the risk of vandalism or theft of the metal. Elastex forms an excellent bond with metal substrates and can be applied with the minimum of surface preparation. Elastex is approved by the BBA and flexible guarantees of up to 25 years are available dependent on substrate condition.

It is recommended that you request a sample of the simulated metal finish from your approved contractor to find the right colour and system to ensure the desired finish is achieved

TECHNICAL ASSISTANCE

Polyroof Products offer comprehensive technical support for specifiers, contractors and clients. Our technical services department are on hand to offer product advice and answer any questions throughout all stages of your project from inception to completion.

We will review any drawings and offer detailed guidance regarding specifications including recommendations to ensure compliance with all current regulations. We offer a free bespoke specification service and can carry out site surveys to ensure that the most appropriate specification is put forward for your project.

Telephone: 0800 801890
Fax: 01352 736363
Email: technical@polyroof.co.uk

LITERATURE AND SAMPLES

Polyroof Products produce a comprehensive range of literature and product samples for specifiers, contractors and clients. Individual brochures and product samples are available on request for all of our products and are available either in paper copy or electronic format.

A specifier's manual is also available which contains a complete set of literature along with product samples. Contact us today for a copy or visit our website www.polyroof.co.uk where you can download individual brochures and NBS specifications.

Telephone: 0800 801890
Fax: 01352 736363
Email: technical@polyroof.co.uk

Disclaimer

Polyroof Products reserve the right to amend product specifications without prior notice. The information provided in this literature is given in good faith. Recommendations for use should be verified to ensure compliance with all current building regulations and standards. Please check that your current copy of literature is the latest version by contacting the marketing department or visiting www.polyroof.co.uk/downloads.

Nothing in this literature or any other marketing literature produced by or on behalf of Polyroof Products Limited is to be regarded as constituting a contract binding in law between Polyroof Products Limited and any Customer. The only contract which Polyroof will enter into with the customer is contained in the guarantees, the details of which are available on request. The guarantee is in the form of a written guarantee which takes effect only when issued in writing by Polyroof to the customer at the request of the contractor.

CUSTOMER SERVICE



On completion of your project customer services are on hand should you need aftercare advice or should you have any queries relating to your installation, guarantees or warranties.

Telephone: 01352 735135
Fax: 01352 736363
Email: service@polyroof.co.uk

GENERAL ENQUIRIES

For all other enquiries contact Polyroof Products on the number below.

Telephone: 01352 735135
Fax: 01352 735182
Email: info@polyroof.co.uk



POLYROOF PRODUCTS LTD, FURNESS HOUSE,

CASTLE PARK INDUSTRIAL ESTATE, FLINT, FLINTSHIRE, CH6 5XA

Tel: 01352 735135 Fax: 01352 735182 Email: technical@polyroof.co.uk

www.polyroof.co.uk

FREEPHONE HELPLINE: 0800 801 890



nssPlus

