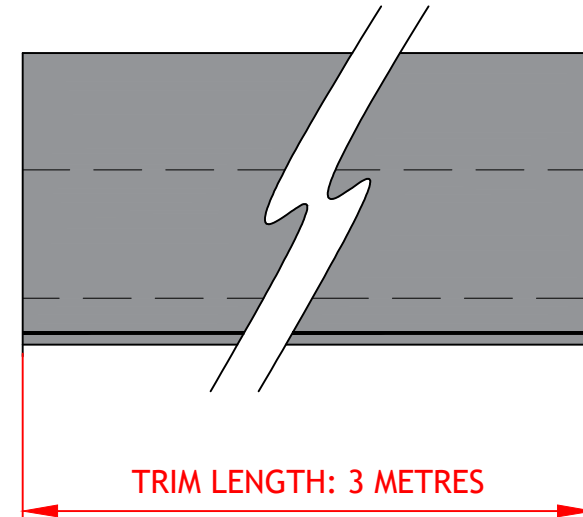
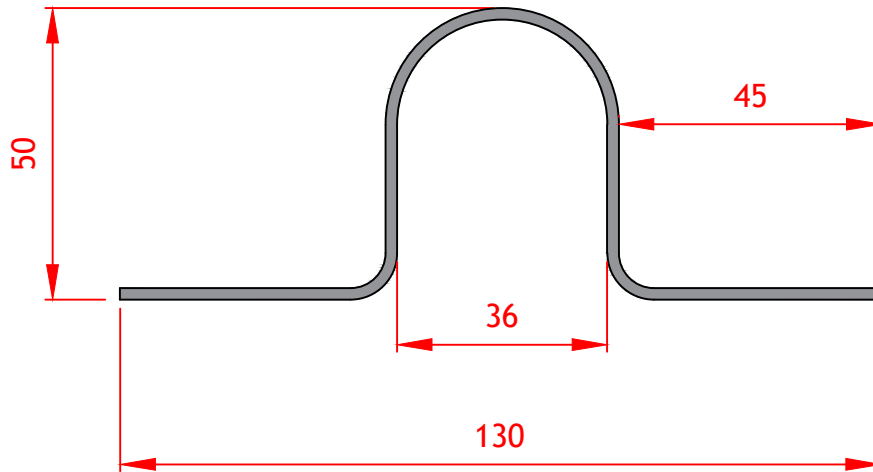


157130
GRP LEAD ROLL TRIM



GRP LEAD ROLL Trims can be used to simulate the appearance of lead roll joint details on flat roof areas, for conservation work, and to straddle cables and technical details.

Polyroof GRP Lead Roll Trims are 3 metres in length.

NOTE: 3m Polyroof trims require solvent wiping prior to coating with Polyroof liquid systems.

POLYROOF
ADVANCED LIQUID ROOFING

© Polyroof Products Limited
Castle Park Industrial Estate, Evans Street, Flint, CH6 5XA
T: 01352 735 135 E: admin@polyroof.co.uk W: polyroof.co.uk

DWG TITLE: 157130 - GRP LEAD ROLL TRIM

POLYROOF SYSTEM: POLYROOF FABRICATED GRP TRIM

SCALE: Drawing not to scale at A4. The purpose of this drawing is for information only, DO NOT SCALE use featured dimensions only.

DWG NUMBER: PR22-018

DATE: 13-12-2021

DRAWN BY: B.Hill

REV: R-000