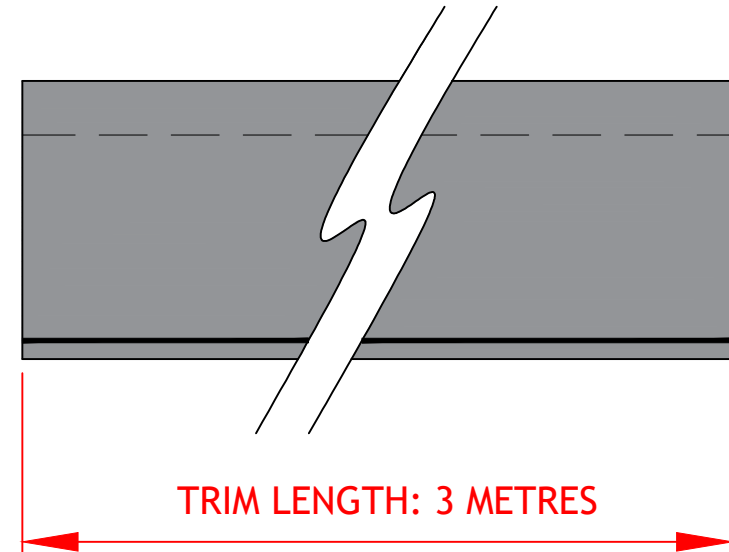
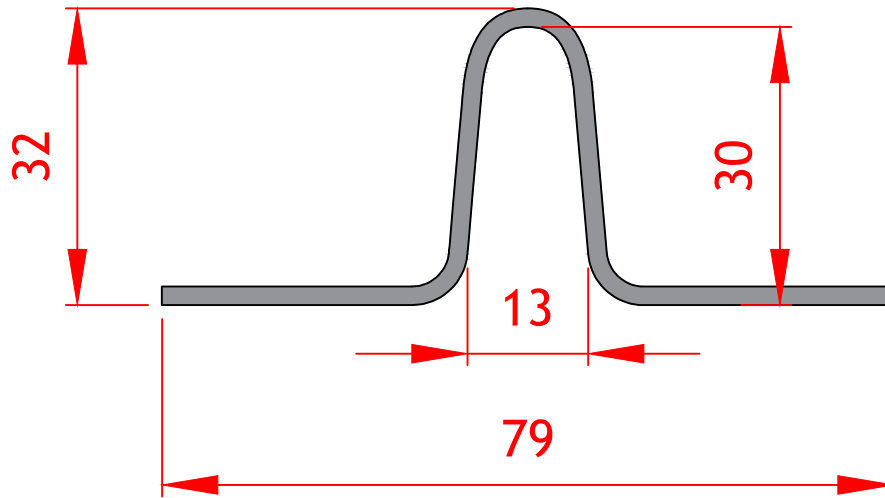


**157131
GRP STANDING SEAM TRIM**



GRP STANDING SEAM Trims offer an attractive finish they can be used on pitched roof areas and for conservation work, or to straddle seam joints on metal roof areas.

Polyroof GRP STANDING SEAM Trims are 3 metres in length.

NOTE: 3m Polyroof trims require solvent wiping prior to coating with Polyroof liquid systems.

POLYROOF
ADVANCED LIQUID ROOFING

© Polyroof Products Limited
Castle Park Industrial Estate, Evans Street, Flint, CH6 5XA
T: 01352 735 135 E: admin@polyroof.co.uk W: polyroof.co.uk

DWG TITLE: 157131 - GRP STANDING SEAM TRIM

POLYROOF SYSTEM: POLYROOF GRP FABRICATED TRIM

SCALE: Drawing not to scale at A4. The purpose of this drawing is for information only, DO NOT SCALE use featured dimensions only.

DWG NUMBER: PR22-019

DATE: 10-12-2021

DRAWN BY: B.Hill

REV: R-000